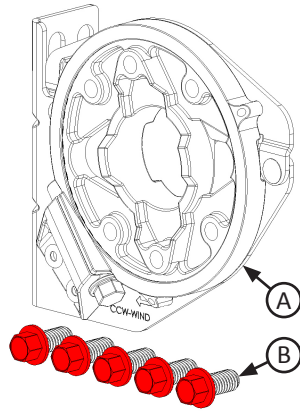


S³ Winder™ Assembly Instructions

KIT CONTENTS



- A) S3 Winder™.....Qty: 1
 B) 3/8" x 3/4" RED HEAD BOLT.....Qty: 5

TOOLS NEEDED

- 3/8" Medium Duty Drill
- Socket Wrench Kit
- Socket Drill Adapter
- Open End Wrench - 7/16"
- Vice Grip Locking Pliers
- Step Ladder
- 3/16" Dia. Drill Bit
- Tape Measure
- Marker
- Gloves
- Safety Glasses/Goggles

The presence of this symbol means **WARNING** or **CAUTION**. Serious Injury, Death and / or property damage may occur unless instructions are followed carefully.

BEFORE GETTING STARTED

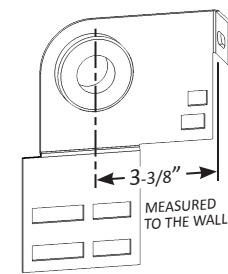
Please read and understand these instructions completely before proceeding with the installation of the S³ Winder™. Carefully follow these instructions to avoid personal injury or property damage.

Use these instructions for the S³ Winder™ only. The S³ Winder™ is intended to replace the standard spring anchor. (NOTE: If you are using a standard center spring anchor with torsion springs or you are installing an extension spring counterbalance system see the standard garage door installation instruction manual that came with your manufacturer's door.)

THE S³ Winder™ IS DESIGNED FOR 3-3/8" OFFSET BEARING PLATES (see diagram to the right).

NOTE: ALL REFERENCES TO LEFT AND RIGHT ARE MADE ASSUMING A POSITION INSIDE THE GARAGE AND LOOKING OUT.

IMPORTANT NOTE



3-3/8" RESIDENTIAL END BEARING PLATE

BE SURE YOU HAVE 3-3/8" OFFSET END BEARING PLATES WITH YOUR GARAGE DOOR.

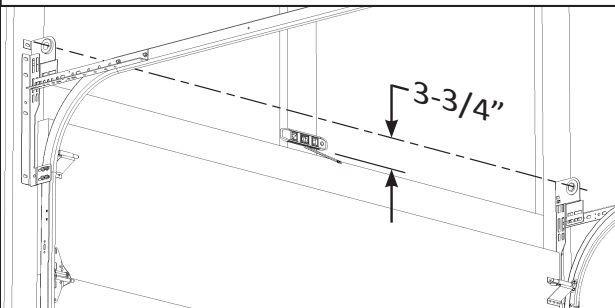
SAFETY ITEMS



ALWAYS WEAR SAFETY GLASSES OR GOGGLES AND GLOVES WHEN INSTALLING THE S³ Winder™.

ANY FASTENER THAT IS PAINTED RED INDICATES THAT IT IS UNDER EXTREME TENSION. TENSION MUST BE REMOVED BEFORE ADJUSTING THE FASTENER.

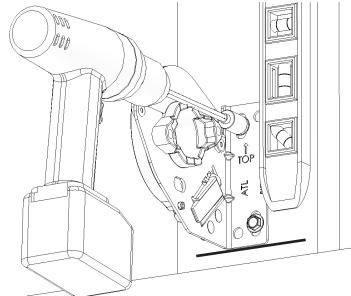
STEP 1



Mark a Level Line on Header 3-3/4" Below the Centerline of the End Bearing Plates.

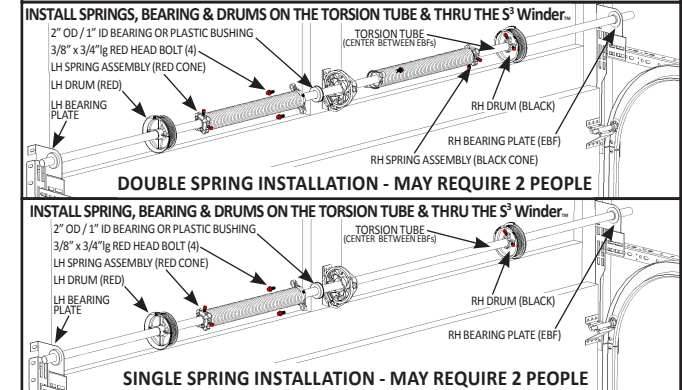
STEP 2

BE SURE THAT THE S³ WINDER™ IS LAGGED INTO STRUCTURALLY SOUND FRAMING MEMBERS & NOT THROUGH WALL BOARD / DRYWALL ONLY!



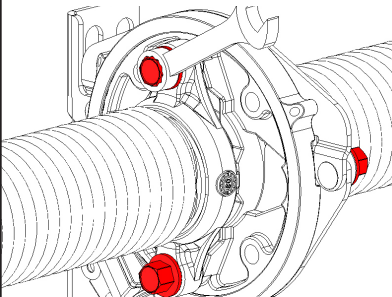
BEFORE INSTALLING APPROPRIATE LENGTH 5/16"Ø LAG SCREWS SUPPLIED WITH YOUR GARAGE DOOR, IT IS IMPORTANT TO DRILL 3/16"Ø PILOT HOLES WHERE THE LAG SCREWS ARE TO BE ATTACHED. POSITION THE BOTTOM OF S³ WINDER™ ON THE LEVEL LINE FROM STEP #1 AND SECURELY FASTEN IT TO A WOOD STUD OR A STRUCTURALLY SOUND MEMBER.

STEP 3



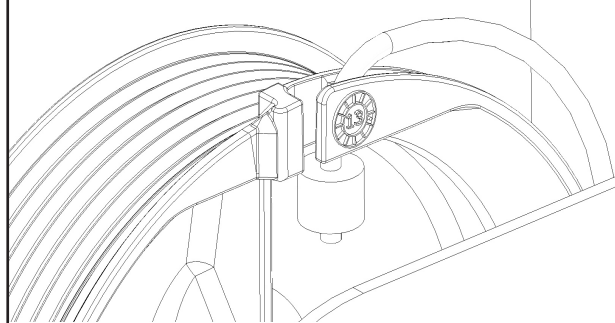
STEP 4

ATTACH SPRINGS TO S³ WINDER™



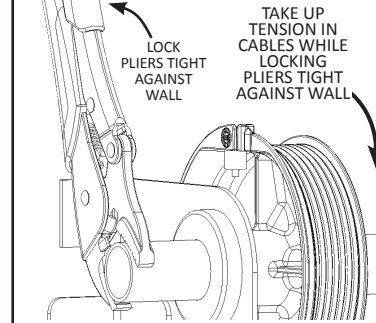
FULLY TIGHTEN RED HEADED BOLTS INCLUDED WITH THE S³ WINDER™

STEP 5



ATTACH CABLES TO DRUMS, TAKE UP CABLE SLACK, TIGHTEN SET SCREWS ON DRUMS.

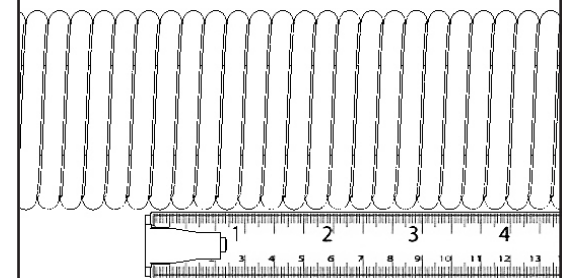
STEP 6



LOCK TORSION TUBE WITH LOCKING PLIERS

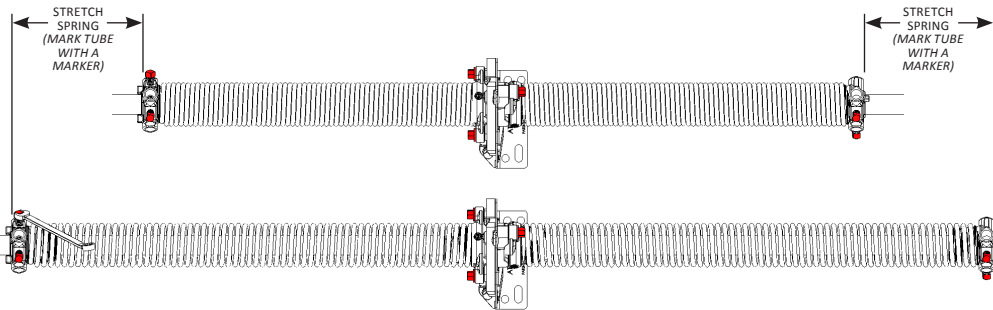
TAKE UP TENSION IN CABLES WHILE LOCKING PLIERS TIGHT AGAINST WALL

STEP 7a

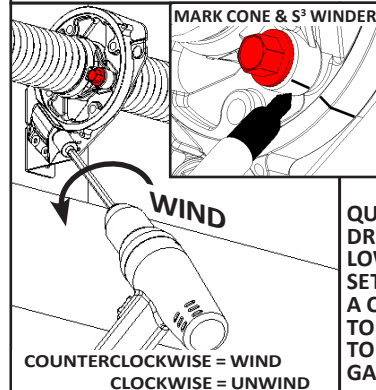


AMOUNT TO STRETCH SPRINGS

7' High Doors = Measured Length of 8 coils + 1/4"
 8' High Doors = Measured Length of 9 coils + 1/4"

STEP 7B

AFTER STRETCHING SPRING(S), LOCK STRETCHED SPRING IN PLACE WITH RED SET SCREWS

STEP 8**WIND SPRINGS**

MARK CONE & S³ WINDER™ BRACKET WITH A MARKER TO AID IN THE COUNTING OF THE NUMBER OF REVOLUTIONS OF THE SPRING.

USING A COMMERCIAL QUALITY CORDLESS OR CORDED DRILL WITH A 7/16" SOCKET, SET TO LOW RANGE (HIGH TORQUE) SPEED SETTING; WIND THE S³ WINDER™ IN A COUNTERCLOCKWISE DIRECTION TO THE NUMBER OF TURNS NEEDED TO BALANCE THE DOOR PER THE GARAGE DOOR INSTRUCTIONS.

DO NOT REST HANDS OR ANY PART OF YOUR BODY ON THE SPRING OR THE S³ WINDER™ WHILE WINDING OR UNWINDING THE SPRINGS.

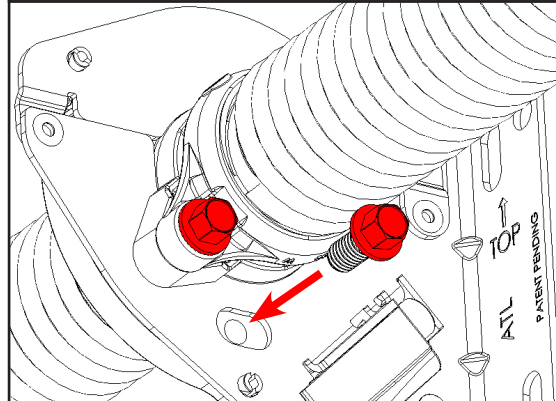


***ONLY WIND OR UNWIND SPRINGS WHEN THE DOOR IS COMPLETELY CLOSED.**

STEP 9**CHECK DOOR BALANCE****REMOVE LOCKING PLIERS**

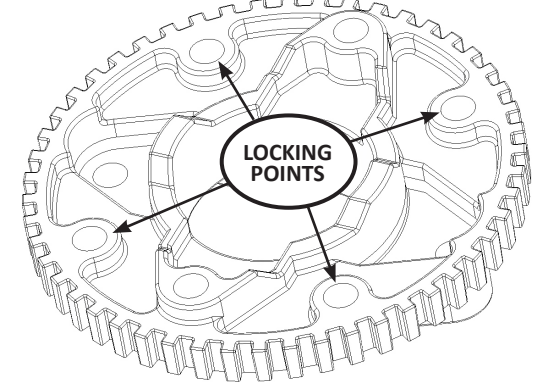
AFTER WINDING SPRINGS CHECK THE DOOR'S BALANCE AND EITHER ADD OR SUBTRACT TENSION AS NEEDED TO ACHIEVE SUFFICIENT BALANCE.

- TO ADD MORE TENSION TO THE SPRING(S), SET THE DRILL TO TURN COUNTERCLOCKWISE AND WIND.
- TO REMOVE TENSION FROM THE SPRING(S), SET THE DRILL TO TURN CLOCKWISE AND UNWIND.

STEP 10**INSTALL LOCKING BOLT**

INSTALL LOCKING BOLT

ONCE THE DOOR IS SUFFICIENTLY BALANCED, INSTALL A RED HEADED BOLT TO LOCK THE S³ WINDER™ IN POSITION. THERE ARE FOUR LOCKING POINTS SPACED AT 90° APART FROM ONE ANOTHER. IT MAY BE NECESSARY TO ALIGN ONE OF THE FOUR THREADED HOLES WITH THE LOCKING SLOT.

**--- SPECIAL NOTICE ---**

ALWAYS REMOVE THE LOCK BOLT PRIOR TO WINDING OR UNWINDING THE S³ WINDER™. IF THE BOLT IS NOT REMOVED THE S³ WINDER™ WILL BE PERMANENTLY DAMAGED. A REPLACEMENT S³ WINDER™ WILL THEN BE REQUIRED TO BE INSTALLED.

THE S³ WINDER™ IS DESIGNED FOR 3 COMPLETE WIND / UNWIND CYCLES OF NEW SPRINGS. AFTER 3 USES IT IS RECOMMENDED TO REPLACE THE S³ WINDER™ WITH A NEW UNIT.

THE S³ WINDER™ WORKS ON 12" & 15" RADIUS TRACK. IT IS NOT DESIGNED FOR USE ON LOW HEADROOM DOORS.

GARAGE DOORS SPRINGS ARE UNDER EXTREME TENSION AND CAN CAUSE SERIOUS INJURY OR DEATH. TO AVOID SERIOUS INJURY OR DEATH, DO NOT REMOVE ANY SCREWS OR FASTENERS IN THE ASSEMBLY, OR THE STRUCTURAL MEMBER TO WHICH THE S³ WINDER™ IS ATTACHED TO WHILE THE SPRING IS UNDER TENSION.



These instructions are to be used as a supplement to the standard garage door installation instruction manual that came with your garage door.